



Toll Free: 87 PERMATEX
(877-376-2839)

6875 Parkland Boulevard, Solon
Ohio 44139

Technical Data Sheet

Permatex® Muffler & Tailpipe Bandage

AAM Revised 01/20

PRODUCT DESCRIPTION

Permatex® Muffler & Tailpipe Bandage is an epoxy impregnated fiberglass bandage that is uniquely formulated to wrap around and chemically weld mufflers and tailpipes.

PRODUCT BENEFITS

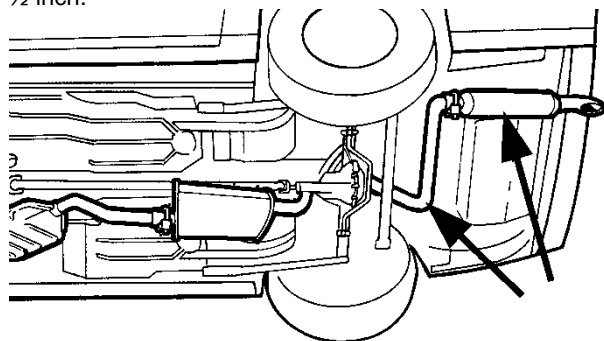
- Permanently repairs holes and leaks in exhaust systems
- Easy to use
- Resists temperatures to 800°F
- Seals out poisonous fumes

TYPICAL APPLICATIONS

- Mufflers and tailpipes on automobiles, trucks, tractors, and farm equipment

DIRECTIONS FOR USE: Wear gloves to protect hands from hot exhaust system parts.

1. Clean off dirt and loose rust with sandpaper or wire brush. Repair area must be clean
2. Run the engine 5-10 minutes before applying bandage.
3. Peel back the protective coating on the bandage.
4. Wrap the bandage over the damaged area, overlapping ½ inch.



5. Support the bandage temporarily with wire.
6. Run the vehicles' engine for 30 minutes. Heat from the exhaust welds the epoxy resin in the bandage to a solid coating.

For Cleanup

1. Clean up with lacquer thinner.
2. Clean hands with a dry cloth or Permatex® Fast Orange® hand cleaner.

PROPERTIES OF UNCURED MATERIAL

	Typical Value
Chemical Type	Epoxy impregnated fiberglass
Appearance	Red Tape
Odor	Odorless
Specific Gravity	None
Flash Point	None

TYPICAL CURING PERFORMANCE

Permatex® Muffler & Tailpipe Bandage cures to a solid epoxy coating when engine temperatures reach operating levels.

TYPICAL ENVIRONMENTAL RESISTANCE

Temperature Resistance	Typical Values
Continuous, °C (°F)	426 (800)

GENERAL INFORMATION

This product is not recommended for use in pure oxygen and/or oxygen rich systems and should not be selected for use with chlorine or other strong oxidizing materials.

For safe handling information on this product, consult the Material Safety Data Sheet, (MSDS).

ORDERING INFORMATION

Part Number	Container Size
80331 (MB-1)	84 sq. in. bandage, carded
80332 (MB-2)	120 sq. in. bandage, carded

STORAGE

Products shall be ideally stored in a cool, dry location in unopened containers at a temperature between 8° and 28°C (46° and 82°F) unless otherwise labeled. Optimal storage is at the lower half of this temperature range. To prevent contamination of unused product, do not return any material to its original container.

NOTE

The data contained herein are furnished for information only and are believed to be reliable. We cannot assume responsibility for the results obtained by others over whose methods we have no control. **Permatex, Inc. specifically disclaims all warranties expressed or implied, including warranties of merchantability or fitness for a particular purpose, arising from sale or use of Permatex, Inc. products and disclaims any liability for consequential or incidental damages of any kind, including lost profits.** This product may be covered by one or more United States or foreign patents or patent applications.

NOT FOR PRODUCT SPECIFICATIONS.
THE TECHNICAL DATA CONTAINED HEREIN ARE INTENDED AS REFERENCE ONLY.
PLEASE CONTACT PERMATEX, INC., TECHNICAL SERVICE DEPARTMENT FOR ASSISTANCE AND RECOMMENDATIONS FOR YOUR SPECIFIC APPLICATION.
PERMATEX, INC., 6875 PARKLAND BOULEVARD, SOLON, OH 44139 PHONE - (1-87PERMATEX)