



Toll Free: 87 PERMATEX
(877-376-2839)

6875 Parkland Boulevard, Solon
Ohio 44139

Technical Data Sheet

Permatex[®] Muffler & Tailpipe Putty

Revised 08/19

PRODUCT DESCRIPTION

Permatex[®] Muffler & Tailpipe Putty is a black sodium silicate based sealer for mufflers and tailpipes that will resist high temperatures.

PRODUCT BENEFITS

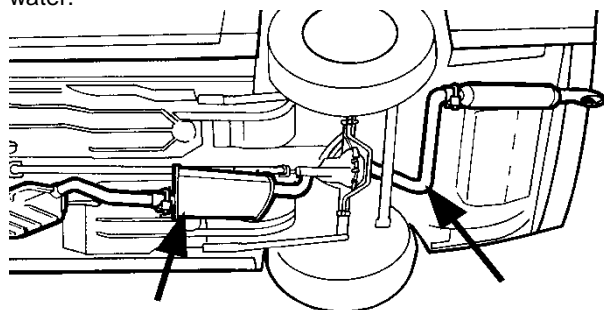
- No mixing required
- Resists temperatures up to 2000°F
- Easy to use
- Seals out exhaust gases

TYPICAL APPLICATIONS

- Mufflers
- Tailpipes
- Joints
- Catalytic converters

DIRECTIONS FOR USE

1. Clean area with wire brush or scraper.
2. Wet the area to be repaired with water.
3. Apply putty with a putty knife by pressing into hole. If material has hardened in the container, moisten with water.



4. Start vehicle's engine and allow to idle for 10 minutes to assist in the drying process. Let the repair dry overnight before using.
5. For large holes, reinforce the repair area with wire or screen mesh before applying putty.

For Cleanup

1. For any cleanup, use water before the material is allowed to dry.
2. Clean hands with Permatex[®] Fast Orange[®] hand cleaner or soap and water.

PROPERTIES OF UNCURED MATERIAL

	Typical Value
Chemical Type	Sodium silicate
Appearance	Grey paste
Odor	No odor
Specific Gravity	1.8
Viscosity	Heavy Paste
Flash Point	None

TYPICAL CURING PERFORMANCE

Permatex[®] Muffler & Tailpipe Putty cures by the evaporation of water and further cures with heat. Full cure will be affected after 24 hours of drying and driving at the maximum operation temperature.

TYPICAL ENVIRONMENTAL RESISTANCE

Temperature Resistance	Typical Values
Continuous, °C (°F)	1093 (2000)

Chemical / Solvent Resistance

The fully cured product retains effective properties when in contact with water.

GENERAL INFORMATION

This product is not recommended for use in pure oxygen and/or oxygen rich systems and should not be selected for use with chlorine or other strong oxidizing materials.

For safe handling information on this product, consult the Material Safety Data Sheet, (MSDS).

ORDERING INFORMATION

Part Number	Container Size
80333	4 oz. foil pouches, carded

STORAGE

Products shall be ideally stored in a cool, dry location in unopened containers at a temperature between 8° to 28°C (46° to 82°F) unless otherwise labeled. Optimal storage is at the lower half of this temperature range. To prevent contamination of unused product, do not return any material to its original container.

NOTE

The data contained herein are furnished for information only and are believed to be reliable. We cannot assume responsibility for the results obtained by others over whose methods we have no control. **Permatex, Inc. specifically disclaims all warranties expressed or implied, including warranties of merchantability or fitness for a particular purpose, arising from sale or use of Permatex, Inc. products and disclaims any liability for consequential or incidental damages of any kind, including lost profits.** This product may be covered by one or more United States or foreign patents or patent applications.

NOT FOR PRODUCT SPECIFICATIONS.
THE TECHNICAL DATA CONTAINED HEREIN ARE INTENDED AS REFERENCE ONLY.
PLEASE CONTACT PERMATEX, INC., TECHNICAL SERVICE DEPARTMENT FOR ASSISTANCE AND RECOMMENDATIONS FOR YOUR SPECIFIC APPLICATION.
PERMATEX, INC., 6875 PARKLAND BLVD, SOLON, OH 44139 PHONE - (1-87PERMATEX)